



Bid Notice Abstract

Request for Quotation (RFQ)

Reference Number 10272605
Procuring Entity CARLOS HILADO MEMORIAL STATE UNIVERSITY
Title Procurement of Labor and Materials for the Rehabilitation of Water Pumping Station at Fortune Towne Campus
Area of Delivery Negros Occidental

Solicitation Number:	RFQ 23-542	Status	Pending
Trade Agreement:	Implementing Rules and Regulations	Associated Components	1
Procurement Mode:	Negotiated Procurement - Small Value Procurement (Sec. 53.9)	Bid Supplements	0
Classification:	Civil Works	Document Request List	0
Category:	Construction Projects	Date Published	29/10/2023
Approved Budget for the Contract:	PHP 500,000.00	Last Updated / Time	28/10/2023 15:10 PM
Delivery Period:	21 Day/s	Closing Date / Time	06/11/2023 09:00 AM
Client Agency:			
Contact Person:	Rowena De la Vida Prado Administrative Assistant II Mabini Street Talisay City Negros Occidental Philippines 6115 63-34-7120005 Ext.142 63-939-9296624 bac.sec@chmsu.edu.ph		

Description

Republic of the Philippines
 CARLOS HILADO MEMORIAL STATE UNIVERSITY
 Talisay City, Negros Occidental
 Telefax: (034) 712-8404 / 712-0003 Local 142
 bac.sec@chmsc.edu.ph

REQUEST FOR QUOTATION
 Page 1 of 3
 Date: OCTOBER 26, 2023
 Quotation No. 23-542

Please quote your lowest price on the item/s listed below, stating the shortest time of delivery and submit your quotation duly signed by your representative not later than _____ in the return envelope attached herewith.

DR. ANDREW EUSEBIO S.TAN
 BAC Chairman

NOTE:

- ALL ENTRIES MUST BE TYPEWRITTEN
 - DELIVERY PERIOD WITHIN 21 CALENDAR DAYS
 - WARRANTY SHALL BE FOR A PERIOD OF SIX (6) MONTHS FOR SUPPLIES & MATERIALS, ONE (1) YEAR FOR EQUIPMENT, FROM DATE OF ACCEPTANCE BY THE PROCURING ENTITY
 - PRICE VALIDITY SHALL BE FOR A PERIOD OF _____ CALENDAR DAYS
 - G-EPS REGISTRATION CERTIFICATE SHALL BE ATTACHED UPON SUBMISSION OF THE QUOTATION
 - BIDDERS SHALL SUBMIT ORIGINAL BROCHURES SHOWING CERTIFICATIONS OF THE PRODUCT BEING OFFERED
- ITEM DESCRIPTION OF WORKS QTY. UNIT MATERIAL COST LABOR COST TOTAL COST
 NO. Unit Cost Material Sub-Total Cost Unit Cost Labor Sub-Total Cost

**ONE (1) LOT
LABOR AND MATERIALS FOR THE REHABILITATION OF WATER PUMPING STATION AT FORTUNE TOWNE CAMPUS**

Scope of Works:

- 1.0 GENERAL REQUIREMENTS
- 2.0 PLUMBING WORKS
- 3.0 ELECTRICAL WORKS
- 4.0 STEEL WORKS
- 5.0 MISCELLANEOUS WORKS

BILL OF QUANTITIES

1.0 GENERAL REQUIREMENTS

- 1.1 Mobilization and Demobilization 1.00 lot
- 1.2 Safety Occupational Hazards 1.00 lot

Sub-total (Item 1.0)

2.0 PLUMBING WORKS

- 2.1 Installation of 3HP submersible Pump
 - 2.1.1 Labor for the pulling of the existing submersible pump 1 lot
 - 2.1.2 Submersible deepwell pump 3 hp, 3-phase, 230V, 60 hz, 3450 rpm, close coupled to a 45 gpm subpump (submotor and subpump end, 2" discharge) with Support Cable Wires, Royal Cords (Water resistant), conduits and Accessories 1 unit
 - 2.1.3 Redrilling works: Installation of additional pipe casings 4" and 2" suction pipes until the desirable volume of water and potability are being met. 1 lot
- 2.2 Installation of Pipes from Pump station to watertank and to cistern tank
 - 2.2.1 2" G.I pipe 4 lgth
 - 2.2.2 2" Black Pipe 110 m
 - 2.2.3 Pipe couplings and adaptors 1 lot

Sub-total (Item 2.0)

3.0 ELECTRICAL WORKS

- 3.1 Supply and Installation of Automated Switches
 - 3.1.1 Automatic float valve switches Include panel box, breaker, wires, & accessories 1 set

Sub-total (Item 3.0)

4.0 STEEL WORKS

- 4.1 Rehabilitation of Water Tank Steel Structure and Water Tank
 - 4.1.1 1/4" x 2" x 2" x 6m 9 lgth
 - 4.1.2 Gusset Plate 1/2" thk 16 pcs
 - 4.1.3 Round Bar 16mm x 6m 10 lgth
 - 4.1.4 Welding Rod 15 kls
 - 4.1.5 Paint Primer 4 gal
 - 4.1.6 Zinc Chromate 4 gal
 - 4.1.7 Paint Brust 4 pcs
 - 4.1.8 Welding Machine Rental 1 lot

Sub-total (Item 4.0)

5.0 MISCELLANEOUS WORKS

- 5.1 For All Other Items that are not listed in the BOQ but deemed necessary to complete and deliver the project to the the end user requirements and standards 1.00 lot

Sub-total (Item 5.0)

PROJECT DURATION: 21 Calendar Days

- A. TOTAL DIRECT COST
- B. CONSUMABLES:
- C. SUPERVISION AND ADMINISTRATION:
- D. TOTAL INDIRECT COST (B+C):
- E. TOTAL COST (A+D)
- F. VAT (12% OF ITEM E):
- GRAND TOTAL OF PROJECT COST:
- *****NOTHING FOLLOWS*****

TOTAL ABC = Php 500,000.00
 PROCUREMENT OF LABOR AND MATERIALS FOR THE REHABILITATION OF WATER PUMPING STATION AT FORTUNE TOWNE CAMPUS- J. ALVARAN
 PR# 23-624-1024 10-24-23
 MDS 246-101-23-10 10-24-23

Line Items

Item No.	Product/Service Name	Description	Quantity	UOM	Budget (PHP)
1	ONE (1) LOT	Labor and Materials for the Rehabilitation of Water Pumping Station	1	Lot	500,000.00

Created by Rowena De la Vida Prado
Date Created 28/10/2023

The PhilGEPS team is not responsible for any typographical errors or misinformation presented in the system. PhilGEPS only displays information provided for by its clients, and any queries regarding the postings should be directed to the contact person/s of the concerned party.

© 2004-2023 DBM Procurement Service. All rights reserved.

[Help](#) | [Contact Us](#) | [Sitemap](#)



Republic of the Philippines
CARLOS HILADO MEMORIAL STATE UNIVERSITY
 Talisay City, Negros Occidental
 Telefax: (034) 712-8404 / 712-0003 Local 142
bac.sec@chmsc.edu.ph

REQUEST FOR QUOTATION

Page 1 of 3

Date: OCTOBER 26, 2023

Quotation No. 23-542

Please quote your lowest price on the item/s listed below, stating the shortest time of delivery and submit your quotation duly signed by your representative not later than _____ in the return envelope attached herewith.


DR. ANDREW EUSEBIO S.TAN
 BAC Chairman

NOTE:

1. ALL ENTRIES MUST BE TYPEWRITTEN
2. DELIVERY PERIOD WITHIN 21 CALENDAR DAYS
3. WARRANTY SHALL BE FOR A PERIOD OF SIX (6) MONTHS FOR SUPPLIES & MATERIALS, ONE (1) YEAR FOR EQUIPMENT, FROM DATE OF ACCEPTANCE BY THE PROCURING ENTITY
4. PRICE VALIDITY SHALL BE FOR A PERIOD OF _____ CALENDAR DAYS
5. G-EPIS REGISTRATION CERTIFICATE SHALL BE ATTACHED UPON SUBMISSION OF THE QUOTATION
6. BIDDERS SHALL SUBMIT ORIGINAL BROCHURES SHOWING CERTIFICATIONS OF THE PRODUCT BEING OFFERED

ITEM NO.	DESCRIPTION OF WORKS	QTY.	UNIT	MATERIAL COST		LABOR COST		TOTAL COST
				Unit Cost	Material Sub-Total Cost	Unit Cost	Labor Sub-Total Cost	
ONE (1) LOT								
LABOR AND MATERIALS FOR THE REHABILITATION OF WATER PUMPING STATION AT FORTUNE TOWNE CAMPUS								
Scope of Works:								
1.0	GENERAL REQUIREMENTS							
2.0	PLUMBING WORKS							
3.0	ELECTRICAL WORKS							
4.0	STEEL WORKS							
5.0	MISCELLANEOUS WORKS							
BILL OF QUANTITIES								
1.0	GENERAL REQUIREMENTS							
1.1	Mobilization and Demobilization	1.00	lot					
1.2	Safety Occupational Hazards	1.00	lot					
	Sub-total (Item 1.0)							
2.0	PLUMBING WORKS							
2.1	Installation of 3HP submersible Pump							
2.1.1	Labor for the pulling of the existing submersible pump	1	lot					
2.1.2	Submersible deepwell pump 3 hp, 3-phase, 230V, 60 hz, 3450 rpm, close coupled to a 45 gpm subpump (submotor and subpump end, 2" discharge) with Support Cable Wires, Royal Cords (Water resistant), conduits and Accessories	1	unit					
2.1.3	Redrilling works: Installation of additional pipe casings 4" and 2" suction pipes until the desirable volume of water and potability are being met.	1	lot					

Released (BAC) _____ Date _____ By _____
 Returned (Supplier) _____

 Printed Name/Signature

 Tel. No./Cellphone No.

 Date



Republic of the Philippines
CARLOS HILADO MEMORIAL STATE UNIVERSITY
 Talisay City, Negros Occidental
 Telefax: (034) 712-8404 / 712-0003 Local 142
bac.sec@chmsc.edu.ph

REQUEST FOR QUOTATION

Page 2 of 3
 Date: OCTOBER 26, 2023
 Quotation No. 23-542

Please quote your lowest price on the item/s listed below, stating the shortest time of delivery and submit your quotation duly signed by your representative not later than _____ in the return envelope attached herewith.


DR. ANDREW EUSEBIO S.TAN
 BAC Chairman

NOTE:

1. ALL ENTRIES MUST BE TYPEWRITTEN
2. DELIVERY PERIOD WITHIN 21 CALENDAR DAYS
3. WARRANTY SHALL BE FOR A PERIOD OF SIX (6) MONTHS FOR SUPPLIES & MATERIALS, ONE (1) YEAR FOR EQUIPMENT, FROM DATE OF OF ACCEPTANCE BY THE PROCURING ENTITY
4. PRICE VALIDITY SHALL BE FOR A PERIOD OF _____ CALENDAR DAYS
5. G-EPIS REGISTRATION CERTIFICATE SHALL BE ATTACHED UPON SUBMISSION OF THE QUOTATION
6. BIDDERS SHALL SUBMIT ORIGINAL BROCHURES SHOWING CERTIFICATIONS OF THE PRODUCT BEING OFFERED

ITEM NO.	DESCRIPTION OF WORKS	QTY.	UNIT	MATERIAL COST		LABOR COST		TOTAL COST
				Unit Cost	Material Sub-Total Cost	Unit Cost	Labor Sub-Total Cost	
2.2	Installation of Pipes from Pump station to watertank and to cistern tank							
2.2.1	2" G.I pipe	4	lgth					
2.2.2	2" Black Pipe	110	m					
2.2.3	Pipe couplings and adaptors	1	lot					
	Sub-total (Item 2.0)							
3.0	ELECTRICAL WORKS							
3.1	Supply and Installation of Automated Switches							
3.1.1	Automatic float valve switches Include panel box, breaker, wires, & accessories	1	set					
	Sub-total (Item 3.0)							
4.0	STEEL WORKS							
4.1	Rehabilitation of Water Tank Steel Structure and Water Tank							
4.1.1	1/4" x 2" x 2" x 6m	9	lgth					
4.1.2	Gusset Plate 1/2" thk	16	pcs					
4.1.3	Round Bar 16mm x 6m	10	lgth					
4.1.4	Welding Rod	15	kls					
4.1.5	Paint Primer	4	gal					
4.1.6	Zinc Chromate	4	gal					
4.1.7	Paint Brust	4	pcs					
4.1.8	Welding Machine Rental	1	lot					
	Sub-total (Item 4.0)							

Released (BAC) _____ Date _____ By _____
 Returned (Supplier) _____

 Printed Name/Signature

 Tel. No /Cellphone No.

 Date



Republic of the Philippines
CARLOS HILADO MEMORIAL STATE UNIVERSITY
 Talisay City, Negros Occidental
 Telefax: (034) 712-8404 / 712-0003 Local 142
bac_sec@chmsc.edu.ph

REQUEST FOR QUOTATION

Page 3 of 3

Date: OCTOBER 26, 2023
 Quotation No. 23-542

Please quote your lowest price on the item/s listed below, stating the shortest time of delivery and submit your quotation duly signed by your representative not later than _____ in the return envelope attached herewith.


DR. ANDREW EUSEBIO S. TAN
 BAC Chairman

NOTE:

1. ALL ENTRIES MUST BE TYPEWRITTEN
2. DELIVERY PERIOD WITHIN 21 CALENDAR DAYS
3. WARRANTY SHALL BE FOR A PERIOD OF SIX (6) MONTHS FOR SUPPLIES & MATERIALS, ONE (1) YEAR FOR EQUIPMENT, FROM DATE OF ACCEPTANCE BY THE PROCURING ENTITY
4. PRICE VALIDITY SHALL BE FOR A PERIOD OF _____ CALENDAR DAYS
5. G-EPS REGISTRATION CERTIFICATE SHALL BE ATTACHED UPON SUBMISSION OF THE QUOTATION
6. BIDDERS SHALL SUBMIT ORIGINAL BROCHURES SHOWING CERTIFICATIONS OF THE PRODUCT BEING OFFERED

ITEM NO.	DESCRIPTION OF WORKS	QTY.	UNIT	MATERIAL COST		LABOR COST		TOTAL COST
				Unit Cost	Material Sub-Total Cost	Unit Cost	Labor Sub-Total Cost	
5.0	MISCELLANEOUS WORKS							
5.1	For All Other Items that are not listed in the BOQ but deemed necessary to complete and deliver the project to the the end user requirements and standards	1.00	lot					
	Sub-total (Item 5.0)							
	PROJECT DURATION: 21 Calendar Days							
	A. TOTAL DIRECT COST							
	B. CONSUMABLES:							
	C. SUPERVISION AND ADMINISTRATION:							
	D. TOTAL INDIRECT COST (B+C):							
	E. TOTAL COST (A+D)							
	F. VAT (12% OF ITEM E):							
	GRAND TOTAL OF PROJECT COST:							
	*****NOTHING FOLLOWS*****							
	TOTAL ABC = Php 500,000.00							
	PROCUREMENT OF LABOR AND MATERIALS FOR THE REHABILITATION OF WATER PUMPING STATION AT FORTUNE TOWNE CAMPUS- J. ALVARAN							
	PR# 23-624-1024 10-24-23							
	MDS 246-101-23-10 10-24-23							

Released (BAC) _____ Date _____ By _____
 Returned (Supplier) _____

Printed Name/Signature

Tel. No./Cellphone No.

Date



**CARLOS HILADO MEMORIAL
STATE UNIVERSITY**
PROJECT TITLE
REHABILITATION OF WATER PUMPING
STATION AND ELEVATED WATER TANK
PROJECT LOCATION: KORTHAL TOWER 4, ANGELES

DESIGNED BY
[Signature]
PROJECT ENGINEER
CHECKED BY
[Signature]
PROJECT ENGINEER

REVISIONS APPROVAL
[Signature]
PROJECT ENGINEER

REVISIONS APPROVAL
[Signature]
PROJECT ENGINEER

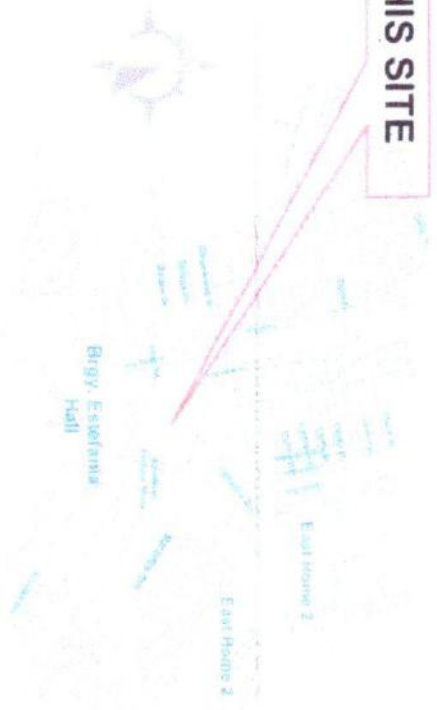
REVISIONS APPROVAL
[Signature]
PROJECT ENGINEER

REVISIONS APPROVAL
[Signature]
PROJECT ENGINEER

REVISIONS APPROVAL
[Signature]
PROJECT ENGINEER

THIS SITE

1 VICINITY MAP
A-1 SCALE
NOTES



2 WATER LINE PLAN
A-1 SCALE
NOTES



RE-DRILLING AREA FOR
WATER SOURCE

SEE ELEVATED WATER TANK
DETAILS

- LEGEND**
- ELEVATED WATER TANK
 - DEEPWELL WATER SOURCE (borehole)
 - CONCRETE WATER TANK
 - LOCAL WATER SUPPLIER (SACOMA)
 - UNDERGROUND WATER TANK
 - EXISTING WATER LINE
 - PROPOSED WATER LINE (350 DPM)



STATE WATER RESOURCES INSTITUTE
 FEDERAL BUREAU OF SURVEY
 PROJECT TITLE
 RENOVATION OF WATER PUMPING
 STATION AND ELEVATED WATER TANK
 WORK NO. 001/010-00000000000000000000

RESPONSIBLE
 ENGINEER
 [Signature]

DESIGNER
 [Signature]

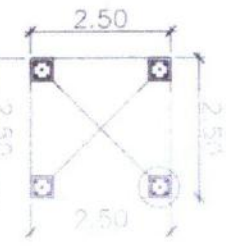
CHECKER
 [Signature]

APPROVER
 [Signature]

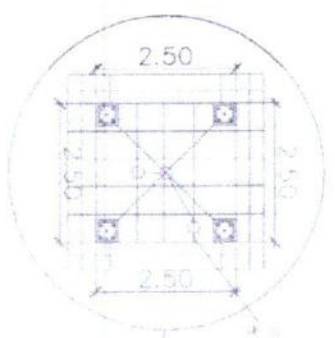
DATE OF ISSUE
 [Signature]

SCALE
 1
 A-2
 1:75 m

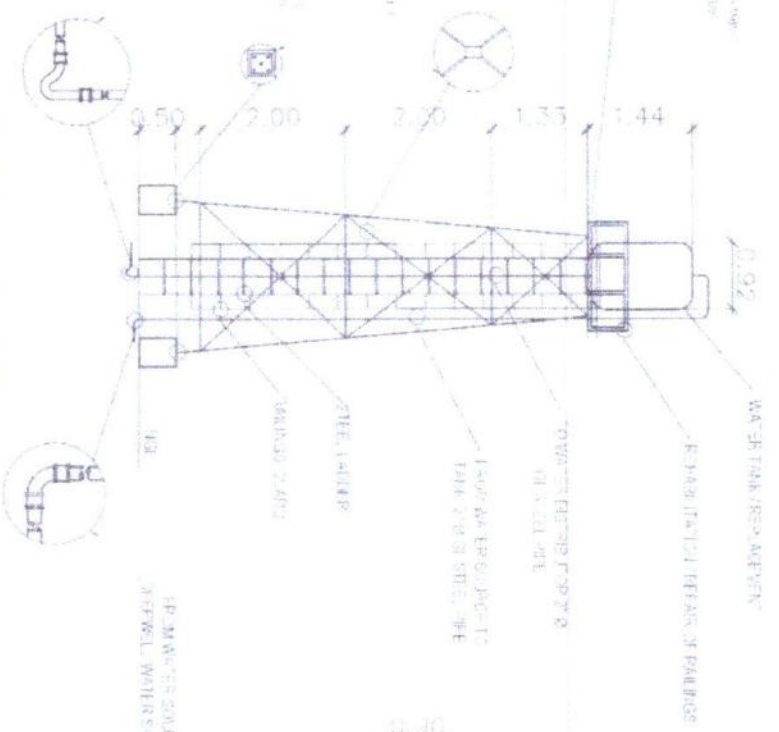
FLOOR PLAN



WATER TANK PLATFORM



ELEVATION



TYPICAL LADDER DETAIL



RAILINGS GUARD



LADDER WITH RAILINGS GUARD



EXISTING ELEVATED WATER TANK

1
 A-2

SCALE

1:75 m